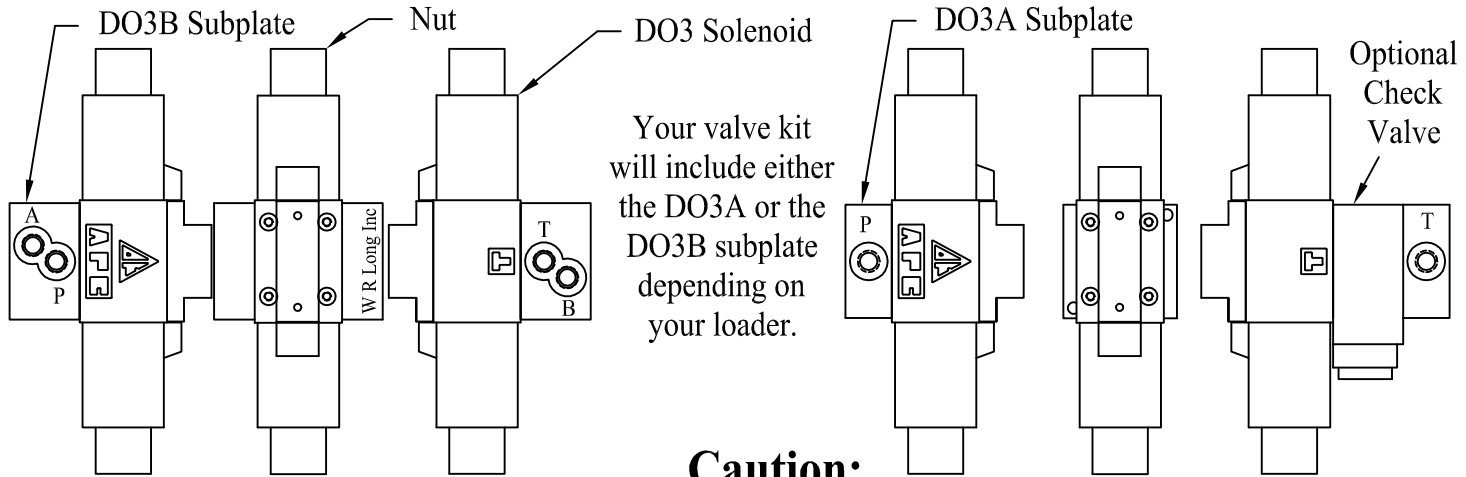


W. R. Long DO3 Electric over Hydraulic Valve Kit

True Third Function Valve Kit

This W. R. Long valve kit includes a open center directional control valve rated for flows up to 12 gpm. The valve consist of a valve body, two solenoids, two plastic solenoid nuts, and a wiring block. The valve body has the letter "T" forged on one side and the letters "APC" forged on the other side. The valve bolts to a subplate "distribution block" using four #10-24 x 2 (#10-24 x 3-1/2 if check valve used) socket head cap screws. The subplate has the letter "T" on one side and the letter "P" on the other side. The bolt pattern is symmetrical therefore it is possible to bolt the valve to the subplate backwards. If this were to occur the valve would not work properly. Verify that the Letter "T" on the subplate is on the same side as the letter "T" on the valve.



Caution:

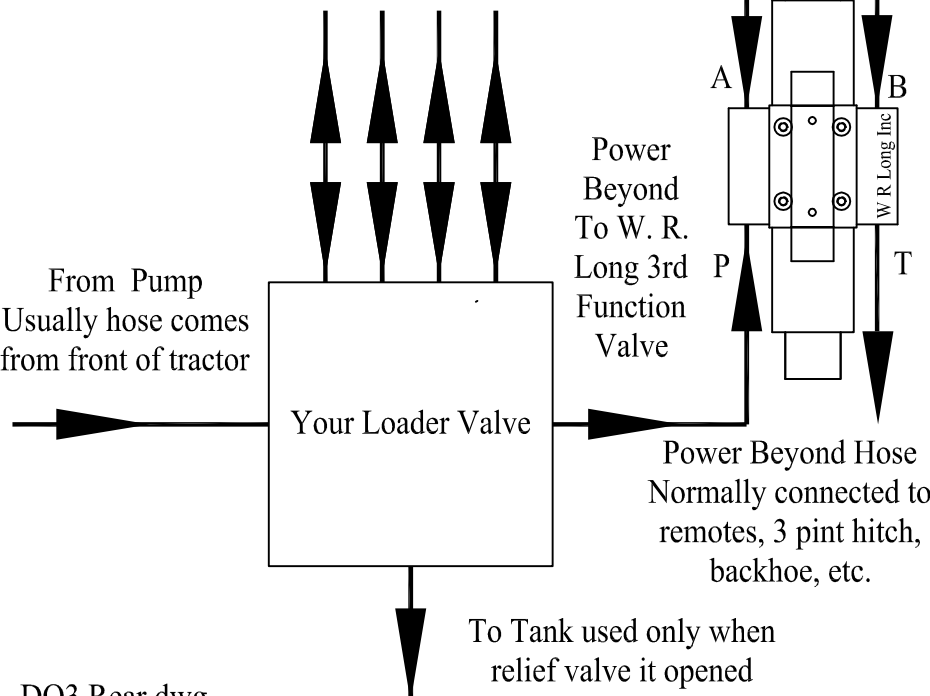
Relieve hydraulic pressure on loader before installing W. R. Long valve kit. Do not start engine until all connections are made secure.

The valve kit instructions are written with the presumption that there is no backhoe attached to the tractor. The kit will work with a backhoe, however a new hydraulic hose may be required. Please call W. R. Long Inc. with any questions at 252-823-4570.

To W. R. Long Attachment Open / Close

Some loaders come with a factory rocker switch to open and close a future attachment. The W. R. Long valve can be operated using the factory rocker switch, however a relay system must be installed to protect the factory switch. See below for wiring diagram.

To Loader Up, Down, Dump, Curl



Wiring Diagram using W. R. Long Inc. Relay Kit with Factory Handle

